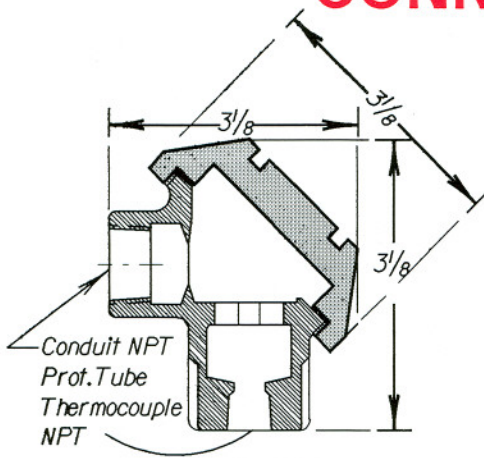
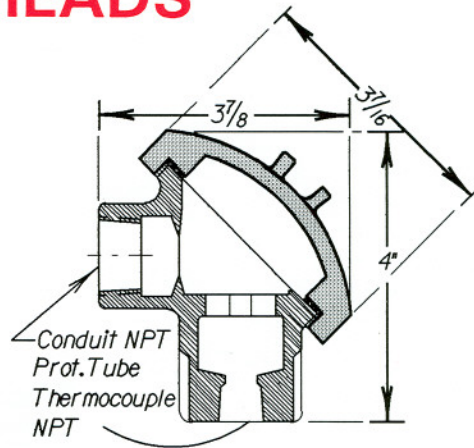


CONNECTION HEADS



STANDARD

Compact, two-piece screw cover, weathertight housing with gasket, for terminal connections. Designed to simplify replacement of thermocouple elements
Available in Aluminum or Cast Iron.

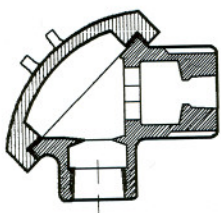
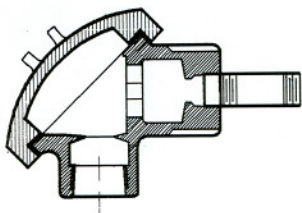
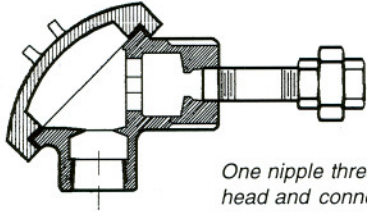
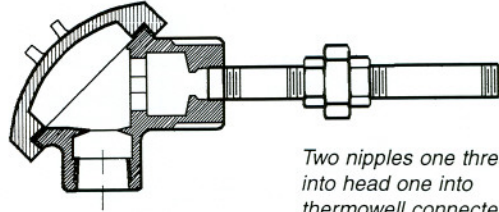


LARGE

Large sturdy, two-piece screw cover, weathertight housing with gasket for mounting terminal blocks and/or small transmitters.
Available in Aluminum or Cast Iron.

STANDARD		LARGE		PROTECTION TUBE CONN.	CONDUIT OUTLET
ALUMINUM	CAST IRON	ALUMINUM	CAST IRON		
A-1	CI-1	LA-1	LCI-1	1/2 in. NPT	1/2 in NPT
A-2	CI-2	LA-2	LCI-2	3/4 in NPT	
A-3	CI-3	LA-3	LCI-3	1 in NPT	
A-4	CI-4	LA-4	LCI-4	1/2 in NPT	3/4 in NPT
A-5	CI-5	LA-5	LCI-5	3/4 in NPT	
A-6	CI-6	LA-6	LCI-6	1 in NPT	

STANDARD EXTENSION ASSEMBLY

<p style="text-align: center;">DIRECT ASSEMBLY</p>  <p style="text-align: right;"><i>Connecting head on thermowell. Specify Head Number. EXAMPLE: A1.</i></p>	<p style="text-align: center;">NIPPLE EXTENSION</p>  <p style="text-align: right;"><i>Threads directly into connection head and thermowell. Available in any length. Specify head and letter N and Nipple length in inches. EXAMPLE A1-N3.</i></p>
<p style="text-align: center;">NIPPLE / UNION EXTENSION</p>  <p style="text-align: right;"><i>One nipple threaded into head and connected to thermowell by union. Available in any length. Specify head and letter NU and length in inches. EXAMPLE A1-NU4.</i></p>	<p style="text-align: center;">NIPPLE / UNION NIPPLE EXTENSION</p>  <p style="text-align: right;"><i>Two nipples one threading into head one into thermowell connected by union. Available in any length. Specify head and letter NUN and length in inches. EXAMPLE A1-NUN6.</i></p>