

PRECISION MEASUREMENTS

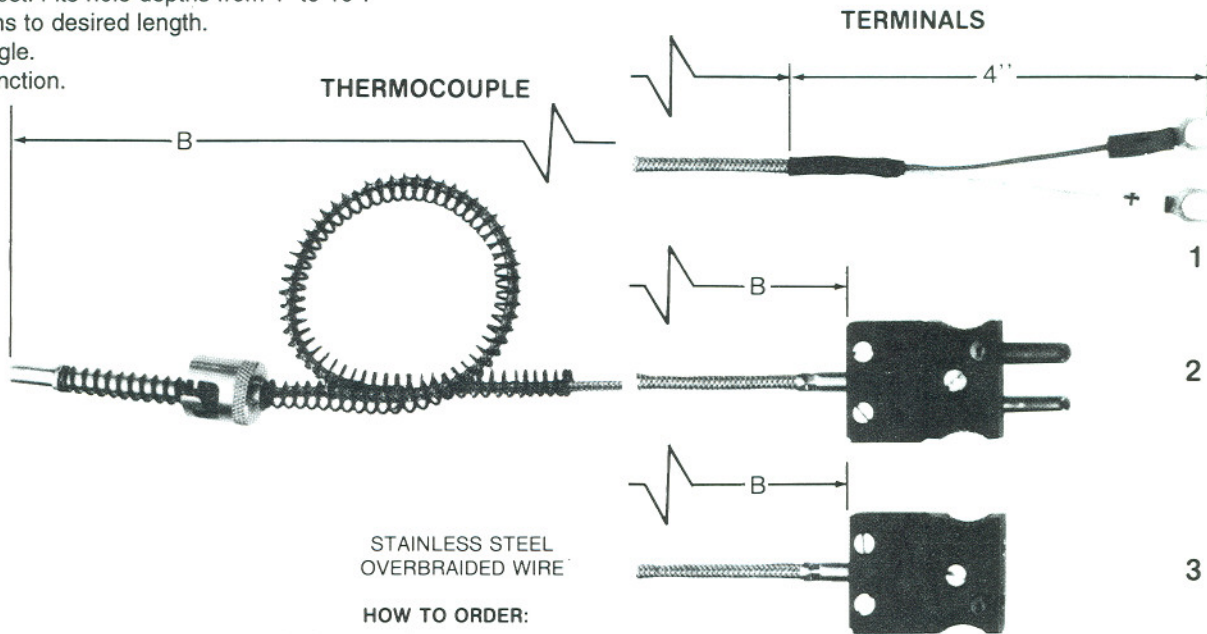
BAYONET TYPE

For Use To 800°F.

WITH ADJUSTABLE LENGTH-SPRING TYPE

- Cuts inventory cost. Fits hole depths from 1" to 10".
- Bayonet cap turns to desired length.
- Forms to any angle.
- Grounded hot junction.

Catalog Number	Terminal Style
L08-1	1
L08-2	2
L08-3	3



STAINLESS STEEL OVERBRAIDED WIRE

HOW TO ORDER:

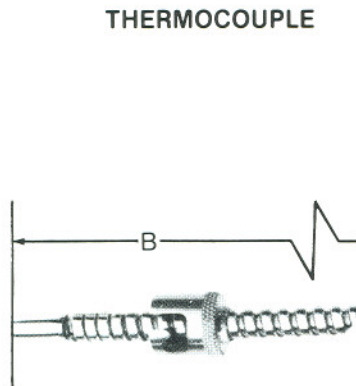
1. Indicate catalog number.
2. Specify "B" length.

*For dual element add suffix "D" to catalog number.

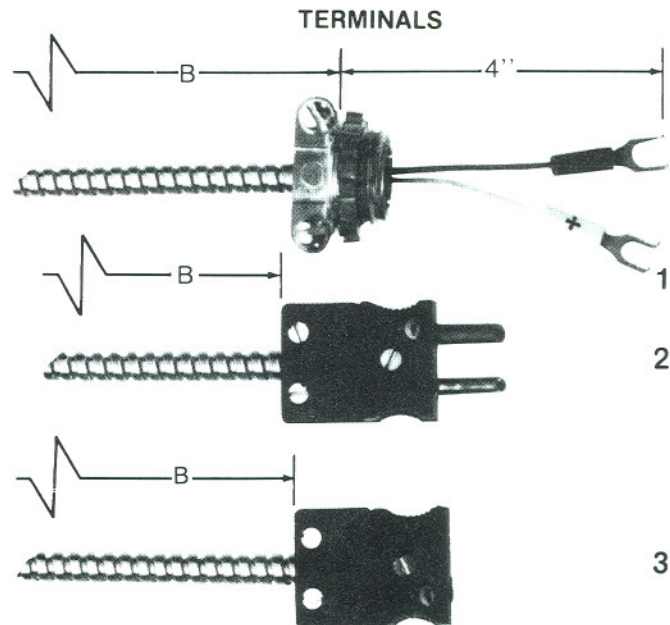
WITH ADJUSTABLE LENGTH-FLEX HOSE TYPE

- Same advantages as above but not as flexible.
- Bayonet cap turns over entire length.
- Not as much spring tension as spring type above.
- Grounded hot junction.

Catalog Number	Terminal Style
L08-14	1
L08-15	2
L08-16	3



STAINLESS STEEL FLEX HOSE ACTS AS SPRING



HOW TO ORDER:

1. Indicate catalog number.
2. Specify "B" length.

For dual element add suffix "D" to catalog number.

NOTE: Calibration is ISA standard grade Type J Iron-Constantan. Type T Copper-Constantan and Type K Chromel-Alumel can be furnished on request. **Stainless Steel Construction**, $\frac{3}{16}$ " rigid and flexible tubing; 20 gauge fiberglass insulated wire. **Adaptors** are not furnished with thermocouples and must be ordered separately.

PRECISION MEASUREMENTS

BAYONET TYPE

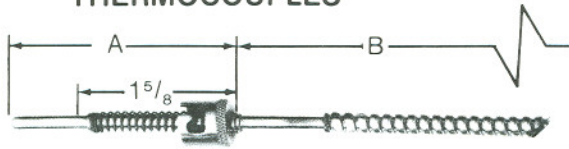
For Use To 800°F.

WITH FIXED LENGTH

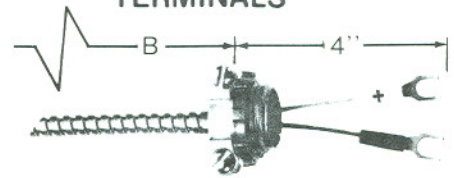
STRAIGHT

Catalog Number	Terminal Type
L08-4	1
L08-7	2
L08-10	3

THERMOCOUPLES



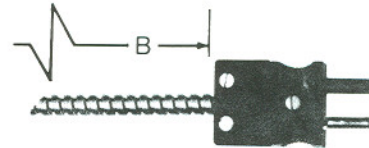
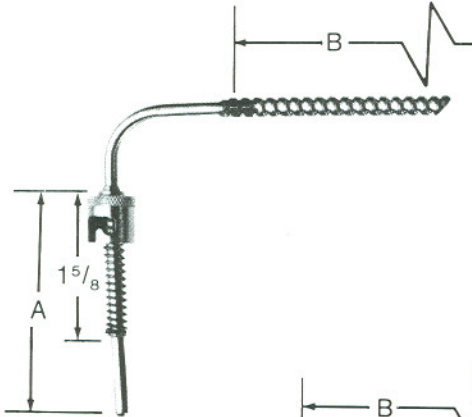
TERMINALS



1

90° BEND

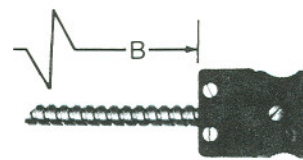
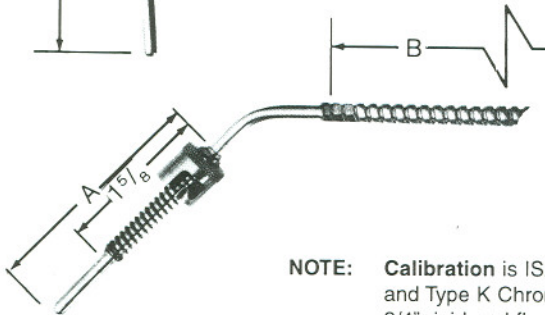
Catalog Number	Terminal Type
L08-6	1
L08-9	2
L08-12	3



2

45° BEND

Catalog Number	Terminal Type
L08-5	1
L08-8	2
L08-11	3



3

NOTE: Calibration is ISA standard grade Type J Iron-Constantan, Type T Copper-Constantan and Type K Chromel-Alumel can be furnished on request. **Stainless Steel Construction**, 3/4" rigid and flexible tubing; Inconel X* springs; 20 gauge fiberglass insulated wire. **Adaptors** are not furnished with thermocouples and must be ordered separately. See page 9

* trademark of International Nickel Co.

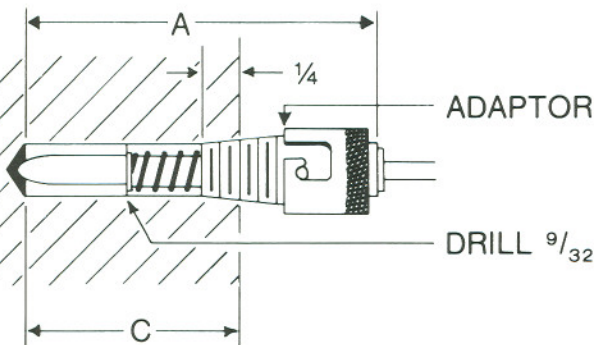
HOW TO ORDER:

1. Indicate catalog number.
2. Specify "A" length.
3. Specify "B" length.

For dual element add suffix "D" to catalog number.

SELECTION TABLE FOR "A" DIMENSION OF FIXED LENGTH BAYONET TYPE THERMOCOUPLE

"C" Hole Depth In Inches	"A" Dimension Inches		
	7/8" Long Adaptor	1 1/8" Long Adaptor	2 1/2" Long Adaptor
1/4 to 1/2	1 5/8	2	3 1/8
1/2 to 1	2	2 1/2	3 5/8
1 to 1 1/2	2 1/2	3	4 1/8
1 1/2 to 2	3	3 1/2	4 5/8
2 to 2 1/2	3 1/2	4	5 1/8
2 1/2 to 3	4	4 1/2	5 5/8
3 to 3 1/2	4 1/2	5	6 1/8
3 1/2 to 4	5	5 1/2	6 5/8
4 to 4 1/2	5 1/2	6	7 1/8
4 1/2 to 5	6	6 1/2	7 5/8
5 to 5 1/2	6 1/2	7	8 1/8
5 1/2 to 6	7	7 1/2	8 5/8
6 to 6 1/2	7 1/2	8	9 1/8



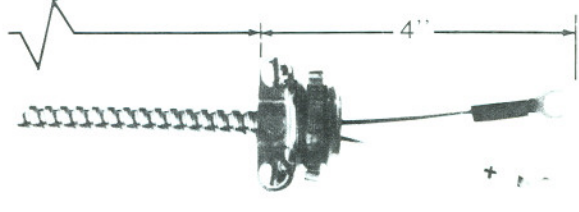
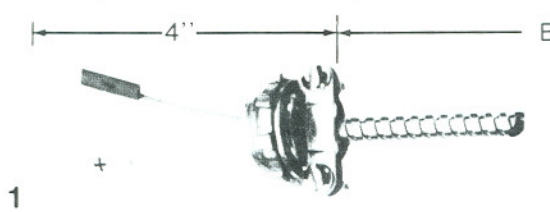
Selection of adaptor and hole depth "C" determines the required "A" dimension. See chart at right.

PRECISION MEASUREMENTS

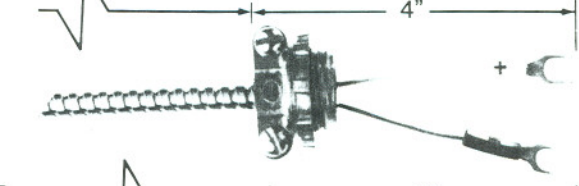
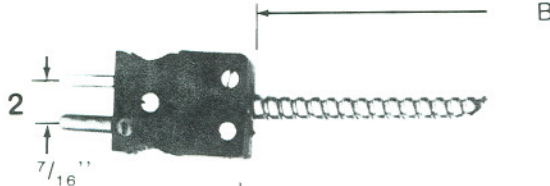
EXTENSION CABLE ASSEMBLIES

SINGLE ELEMENT
DUAL ALSO AVAILABLE

Catalog Number	Terminal Styles	
	1	1
L38-1	1	1



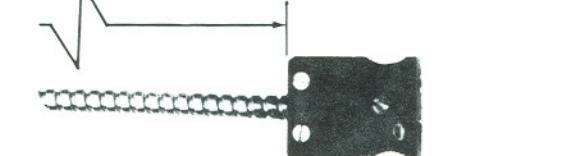
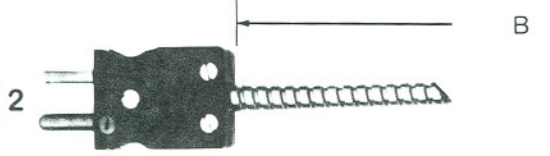
L38-2	2	1
-------	---	---



L38-3	3	1
-------	---	---

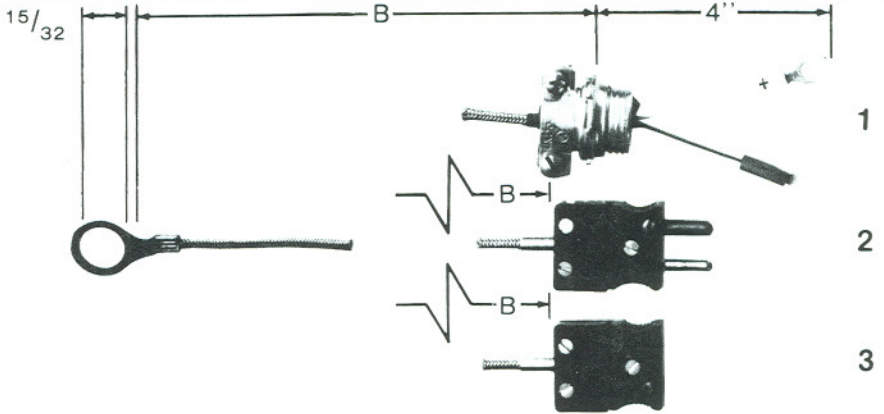


L38-7	2	3
-------	---	---



SURFACE THERMOCOUPLE FOR USE TO 800°F.

Catalog Number		Terminal Style
¹⁵ / ₃₂ Dia.	⁷ / ₃₂ For #10 Screw	
L58-1	L58-17	1
L58-2	L58-18	2
L58-3	L58-19	3

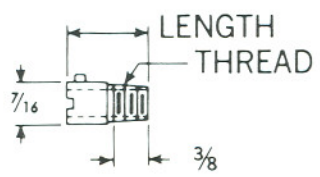


HOW TO ORDER:

1. Indicate catalog number.
2. Specify "B" length.

BAYONET ADAPTERS

Catalog Number	Length	Thread
L68-1	⁷ / ₈ "	¹ / ₈ - 27 N.P.T.
L68-2	⁷ / ₈ "	³ / ₈ " - 24
L68-3	¹³ / ₈ "	¹ / ₈ - 27 N.P.T.
L68-4	¹³ / ₈ "	³ / ₈ - 24
L68-5	2 1/2"	¹ / ₈ - 27 N.P.T.
L68-6	2 1/2"	³ / ₈ - 24
L68-15	2 ³ / ₈ "	14 x 1.5 MM
L68-16	2 1/2"	10 x 1.5 MM



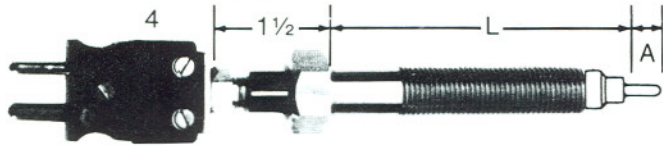
Other lengths available

PRECISION MEASUREMENTS

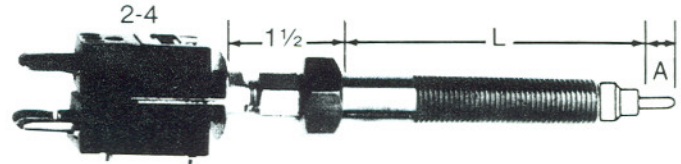
PLASTICS MELT EXTRUDER TYPE

For Use To 900°F.

WITH RIGID PLUG EXTENSION



SINGLE ELEMENT



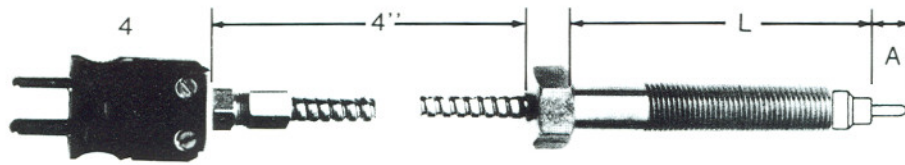
DUAL ELEMENT

Catalog Number	Terminal Style	"A"	"L"
L28-1	4	Flush	3"
L28-2	4	1/4"	3"
L28-3	4	1/2"	3"
L28-4	4	3/4"	3"
L28-5	4	1"	3"
L28-6	4	Flush	6"
L28-7	4	1/4"	6"
L28-8	4	1/2"	6"
L28-9	4	3/4"	6"
L28-10	4	1"	6"

Catalog Number	Terminal Style	"A"	"L"
L28-11	2-4	Flush	3"
L28-12	2-4	1/4"	3"
L28-13	2-4	1/2"	3"
L28-14	2-4	3/4"	3"
L28-15	2-4	1"	3"
L28-16	2-4	Flush	6"
L28-17	2-4	1/4"	6"
L28-18	2-4	1/2"	6"
L28-19	2-4	3/4"	6"
L28-20	2-4	1"	6"

WITH FLEXIBLE PLUG EXTENSION

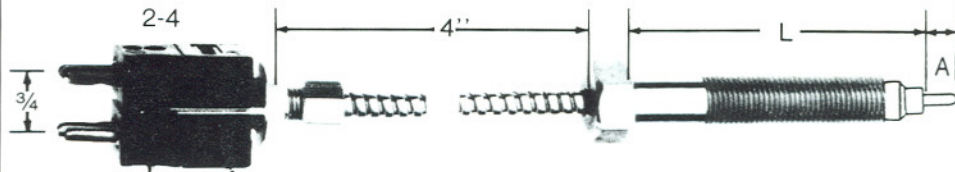
SINGLE ELEMENT



Catalog Number	Terminal Style	"A"	"L"
L28-21	4	Flush	3"
L28-22	4	1/4"	3"
L28-23	4	1/2"	3"
L28-24	4	3/4"	3"
L28-25	4	1"	3"
L28-26	4	Flush	6"
L28-27	4	1/4"	6"
L28-28	4	1/2"	6"
L28-29	4	3/4"	6"
L28-30	4	1"	6"

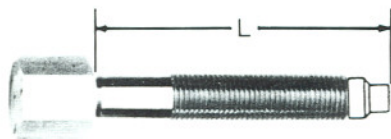
DUAL ELEMENT

Catalog Number	Terminal Style	"A"	"L"
L28-31	2-4	Flush	3"
L28-32	2-4	1/4"	3"
L28-33	2-4	1/2"	3"
L28-34	2-4	3/4"	3"
L28-35	2-4	1"	3"
L28-36	2-4	Flush	6"
L28-37	2-4	1/4"	6"
L28-38	2-4	1/2"	6"
L28-39	2-4	3/4"	6"
L28-40	2-4	1"	6"



BLANK BOLT

USED TO SEAL HOLE IF THERMOCOUPLE IS REMOVED FROM EXTRUDER



All bolts supplied with 1/2"-20 UNF thread

Catalog Number	"L"
BB-3	3"
BB-6	6"

HOW TO ORDER:

Specify Catalog Number.

NOTE: Calibration is ISA standard grade Type J Iron-Constantan, Type T Copper-Constantan and Type K Chromel-Alumel can be furnished on request.

Construction: Stainless steel, single element made with 20 gauge fiberglass insulated wire. Dual element with 24 gauge.